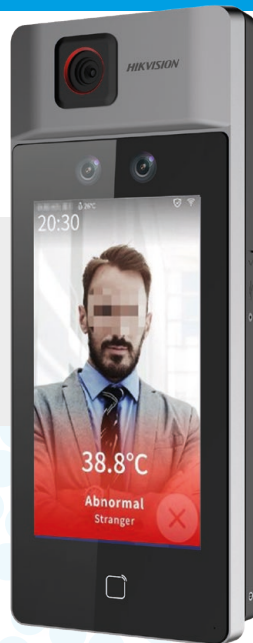


# SECURITY YOU CAN COUNT ON.



## 7" Temperature Screening Facial Recognition Access Control Terminal

FROM  
**£5,499**  
+VAT  
+INSTALLATION  
(SUBJECT TO SITE SURVEY)



The use of face recognition in access control and time attendance has been an inevitable trend which brings the advantageous 'touch-free' experience.

With built-in temperature screening, it is perfect for retaining social distancing guidelines with a 0.3m to 2m read range to evidence that temperature screening has been carried out to ensure a reduced risk to staff and visitors.

This Face Recognition Terminal can be linked with a Network Video Recorder (or NVR) for data recording and storage for post event review and. It can also be linked with network cameras to allow clear video recording when any pre-set events are triggered.

There are numerous integration options, giving extensive compatibility and allowing quick and cost-effective connections between the Facial Recognition Terminal and existing door-control and attendance systems.

Please note: This product requires installation by trained technicians; price shown is subject to site survey.

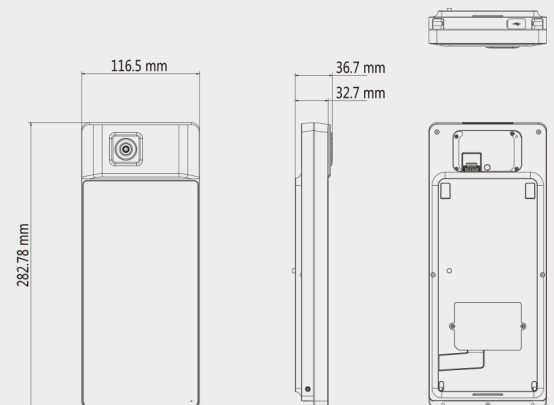
The Temperature Screening function of this terminal **MUST NOT** be considered a diagnostic test or instrument. However, when used to give an indication of a person's body temperature, it can be an effective tool in helping to reduce the potential spread of infection and to evidence that temperature screening checks have been carried out to ensure a reduced risk to staff and visitors.

Due to the wide range of functions built-in to this terminal, it can be repurposed and reconfigured for other general security/CCTV uses as required, making this a highly adaptable product.

### Features

- Supports Vanadium Oxide uncooled sensor to measure target's temperature
- Temperature measuring range: 30°C to 45°C, accuracy: 0.1°C, deviation: ±0.5°C
- Recognition distance: 0.3 to 2m
- Fast temperature measurement mode
- Multiple authentication modes
- Face mask wearing alert
- Forced mask wearing alert
- Displays temperature measurement
- Voice prompt when high temperature detected
- Configurable door status (open/close)
- Transmits online and offline temperature information to the client software via TCP/IP
- Face recognition duration <0.2 s/User;
- Face recognition accuracy rate ≥ 99%
- 50,000 face capacity, 50,000 card capacity and 100,000 event capacity
- Supports 6 attendance statuses
- Connects to access controller or card reader
- Connects to secure door control unit via RS-485 protocol

### Dimensions



For more details, please contact our sales team:

**www.saesltd.co.uk** Email: **sales@saesltd.co.uk** Tel: **01622 765366**

Security and Electronic Solutions Ltd. DEP House, Buckland Hill, Maidstone, Kent ME16 0SQ